

Sensors and Accessories

Sensors



External Temperature Sensor

Temperature Sensor: 1-wire
 Temperature range: -55°C to + 125 °C
 Interface: 4P4C connector
 Length: 1,5 meters

CS131

Technical Features

Feature	Description
IP Monitoring	Web (HTTP), SNMP
SNMP Compliance	SNMP v1
Alarm	SNMP trap, LED
LAN	10/100Mbit Ethernet
LED	Power, Alarm
Fan	6 x AC fan with tacho featured (for FC206) 4 x AC fan with tacho featured (for FC204)
Dry Contact	1 x Dry Contact output
Sensor Input	1 x built-in temperature sensor 1 x external temperature sensor
Power Supply	220Vac

Ordering Information

Order Code	Description
FC204 *	Fan Control Unit with 4 fans, excluded CS131, CS131 is ordered separately
FC206 *	Fan Control Unit with 6 fans excluded CS131, CS131 is ordered separately
CS131	External temperature sensor, 1,5 meters length

*AC fans are not included, suitable for 220Vac fan with 12Vdc tacho power



www.tamara.com.tr

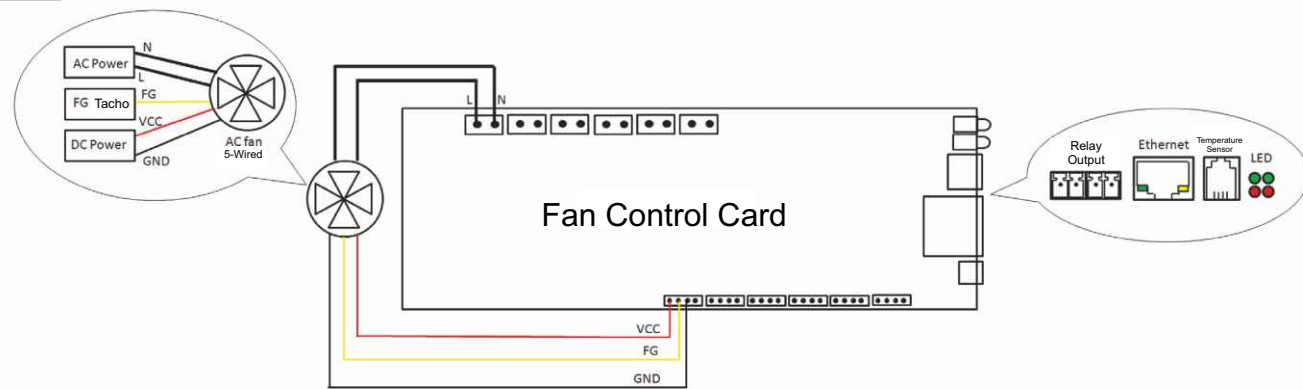
FC204
FC206

Allows you to have "someone" looking after your assets

Fan control unit equipped with Ethernet controller for remote & automatic fan speed control

➤ For detailed info visit www.tamara.com.tr web page

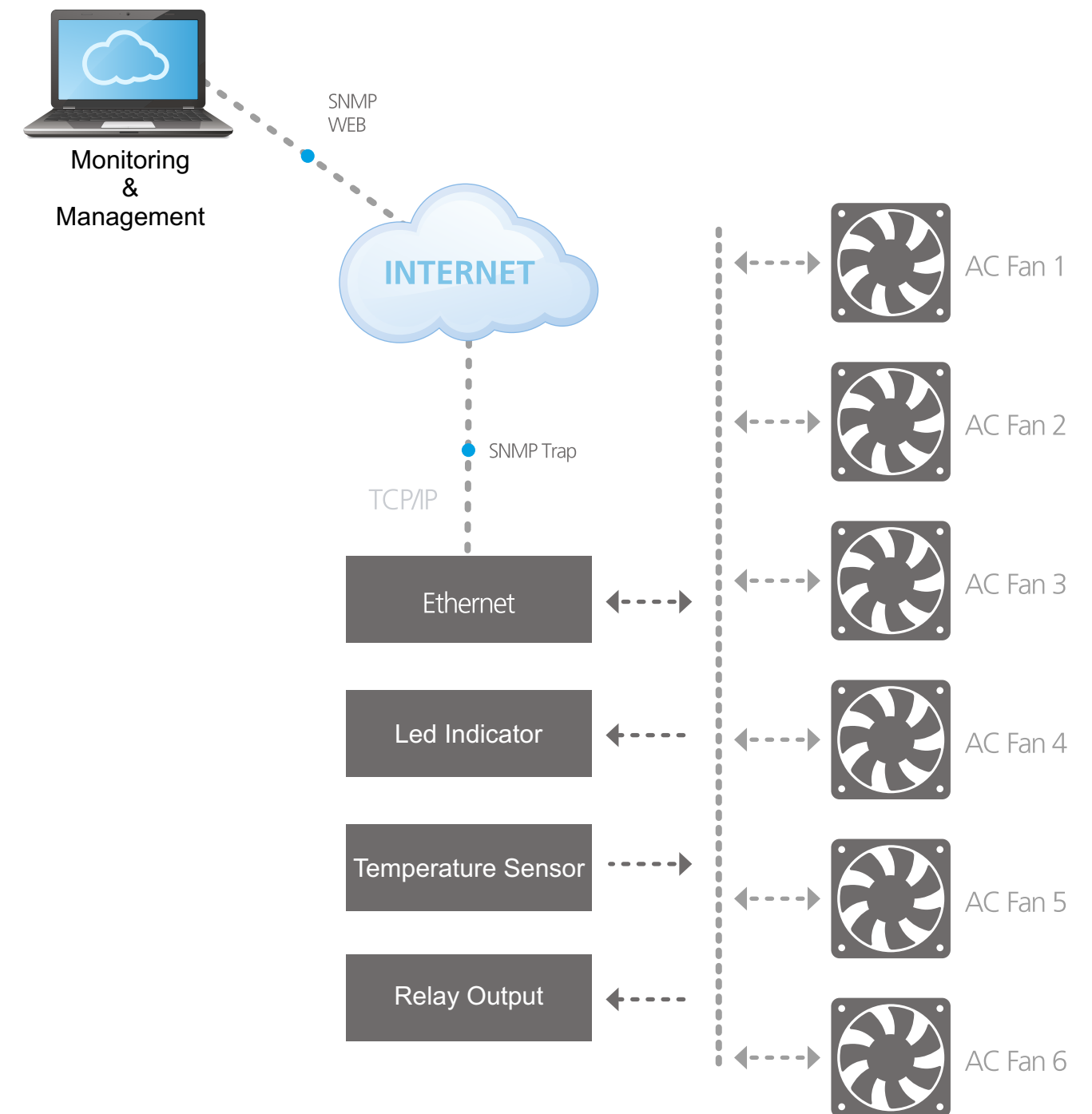




FC204 | Fan control unit equipped with Ethernet controller for remote & automatic fan speed control
FC206

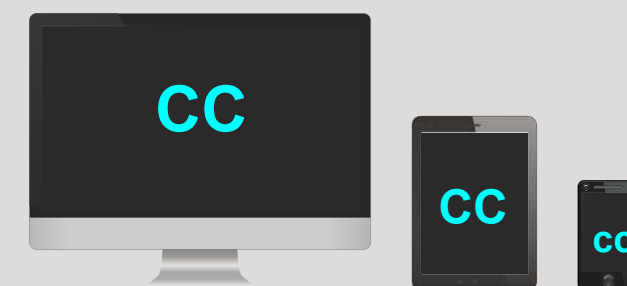
Features:

- Takes real-time temperature measurements and automatically adjusts the fan speed accordingly
- Keeps the cabinet temperature in optimum while reducing fan noise contains fan-ageing function for longer fan life
- Full monitoring and configuration over internet
- Notifies fan failure alarms instantly via SNMP trap
- Provides status via on front panel LEDs
- Built-in web interface for remote monitoring and configuration
- Possibility to integrate with third party SNMP based Network Management Systems
- Optimum performance with one built-in and one external temperature sensors



Web Interface

- Full monitoring and configuration with built-in graphical web interface
- Configuring sensor threshold and network settings via web interface
- Monitoring automatically generated system logs via web interface



Suitable for today's online world

Real-time monitoring & management at anywhere in any time